

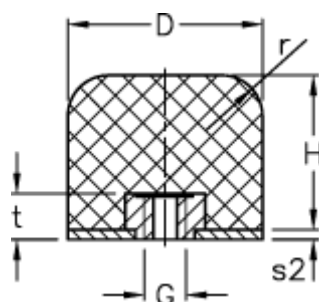
Data Sheet



Article number: 51503559180010

Description: Vibration damper GP-1I 200x160
M20, NR shore 57

Measures



| | | |
|----------------------|---------|--------|
| D | = 200 | t = 18 |
| d2 | = 6 | |
| G | = M20 | |
| H | = 160 | |
| Load capacity F (kN) | = 375.0 | |
| Load capacity f (mm) | = 38 | |
| Load capacity W (J) | = 8800 | |
| r | = 40.0 | |